



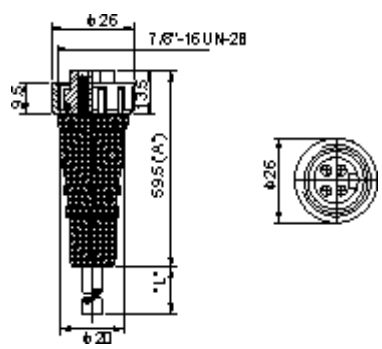
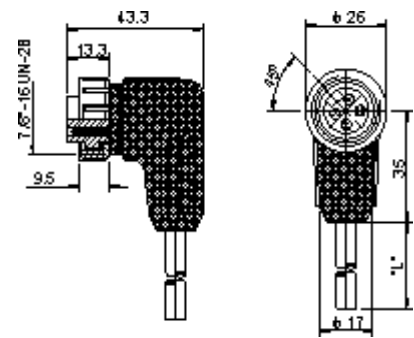


# Mini-Style Quick Disconnect Cable Assembly

| Diameter                  |  | 7/8"-16UN-2A Mini-style   | 7/8"-16UN-2A Mini-style   |
|---------------------------|--|---|---|
| Feature                   |  | 1.Female Mini-style   | 1.Female Mini-style   |
|                           |  | 2.Screw locking with(auto) securing safety nut                                      | 2.Screw locking with(auto) securing safety nut  |
|                           |  | 3.With moulded cable  | 3.With moulded cable  |
| Picture                   |     |  |   |
| Application Class         | GAN acc.to DIN 40040 ( -40℃/+90℃/≤100% rF)   |   | GAN acc.to DIN 40040 ( -40℃/+90℃/≤100% rF)  |
| moulded body              | TPU,self-extinguishing   |   | TPU,self-extinguishing  |
| nominal power             | 4~5poles, 9A   |   | 4~5poles, 9A  |
| Nominal Voltage           | 250VAC   |   | 250VAC  |
| Contact                   | CuZn,Pre-nickeled and 0.8 microns gold-plated  |   | CuZn,Pre-nickeled and 0.8 microns gold-plated   |
| O-Ring                    | Viton  |   | Viton   |
| Body                      | TPU,self-exting guishing   |   | TPU,self-exting guishing  |
| Securing Safety nut       | -  |   | -   |
| Withdrawal Force/Contact  | ≥1N  |   | ≥1N   |
| Water Pressure Resistance | 10bar  |   | 10bar   |
| IP-Rating (IEC60529)      | IP67   |   | IP67  |
| Contact Resistance        | ≤5mΩ   |   | ≤5mΩ  |
| Insulation Group          | C acc.to VDE 0110  |   | C acc.to VDE 0110   |
| Test Voltage              | 4~5poles, 1.5KV eff./60s   |   | 4~5poles, 1.5KV eff./60s  |
| Insulation Resistance     | >10 <sup>9</sup> Ω   |   | >10 <sup>9</sup> Ω  |
| Part_No                   | ZS-FS4WLV082   |   | ZS-FA4WLV082  |
| Poles                     | 4  |   | 4   |
| Face View female          |   |   |  |
| Color Code                | 1=brown 2=white 3=blue 4=black   |   | 1=brown 2=white 3=blue 4=black  |
| Conductors                | Guage  | 0.5mm <sup>2</sup>  |   |
|                           | Stranding  | 16×φ0.2   |   |
| Outer                     | φmm  | φ6.3  |   |
| Jacket                    | Material   | PVC   |   |
| Dimensions (unit: mm)     |  |   |  |
| Remark                    | Standard Length:2.0m. Other cable length or cable specifications on request          |   | Standard Length:2.0m. Other cable length or cable specifications on request           |

Subject to modifications without notice

Tel: +86-755-2646 7962

Fax: +86-755-2646 7925

MSN: dfan852@hotmail.com

Web: www.mountiger.com

E-mail: sales@mountiger.com

QQ: 873764592

**Mountiger**  
Sensing the future